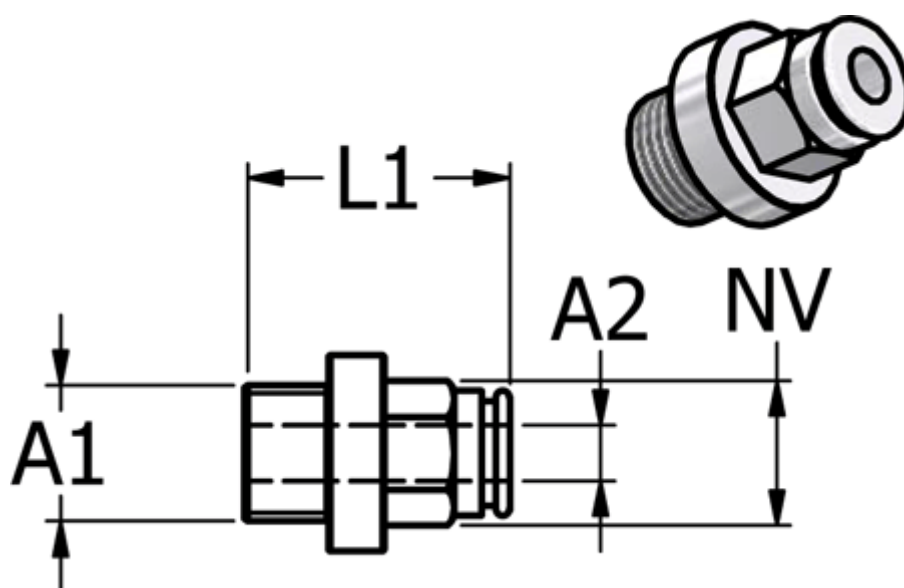


Article number: 58684501210

Description: Metal Push-in fitting 845.012-10, Ø10-G 1/2"
Straight union with FPM O-ring

Measures



Ext. hose diameter A2	= 10
L1	= 31
NV	= 16
Thread A1	= G 1/2"